

RH
CONVEYOR SERVICES LTD

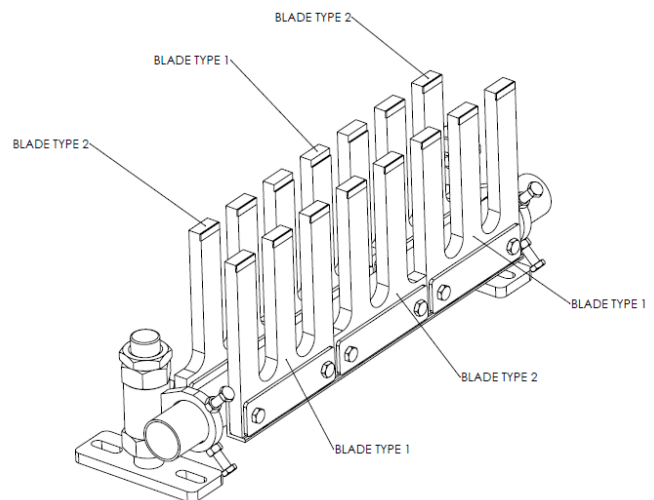
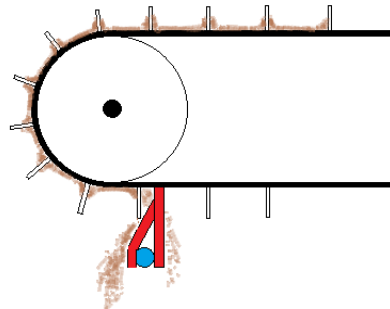
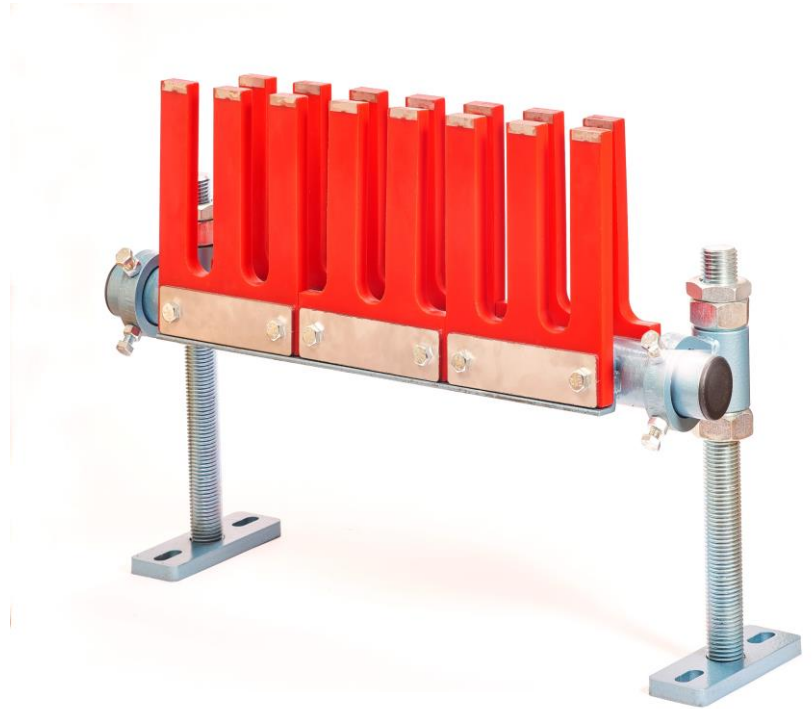
SIMPLE
SCRAPING
SOLUTIONS

RH DUPLEX **CLEANER** **PATENT PENDING**

***PURPOSE BUILT TO
CLEAN CLEATED BELTS***

...SO WHATS NEW

- Radical new design to tackle a problem No other scraper manufacturer can
- Will work on cleated belts up to 100mm in height and perfect for Recycling application
- Simple and easy to change blades That retro fit to our **Series 2000** tube
- With its alternating blade design (**type 1**, 3 fingers and **type 2**, 2 fingers) There is a full even scraping of the belt



RH
CONVEYOR SERVICES LTD

Unit 5, Swinton Meadows Buisness Park
Meadow Way, Swinton, Rotherham S64 8AB
Tel: 01709 583899.
Fax: 01709 879152

Email: www.rhconveyors.com

Company reg number: 2502867

Patent no:19157967.1